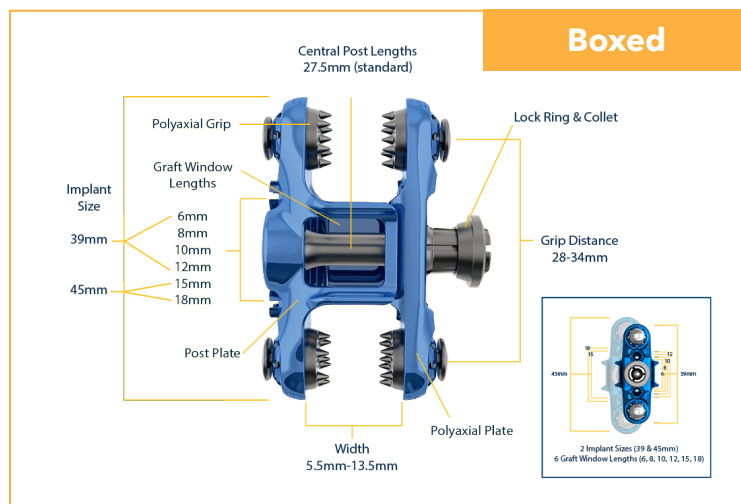


# primaLOK™ SP

PrimaLOK™SP is a next generation posterior lumbar spinous process fixation device that uniquely compliments VariLift®-LX when patient anatomy requires additional stability.



## Supporting You from Every Angle



### POLYAXIAL FOOT DESIGN FOR OPTIMAL FIT

Each foot allows +/- 15 degrees of angulation, allowing the implant to find the most stable anchoring orientation on the spinous process.

### FREELY ANGLES TO CONFORM TO PATIENT ANATOMY

With a total of 45 degrees of angulation, primaLOK-SP maximizes contact with patient anatomy.

